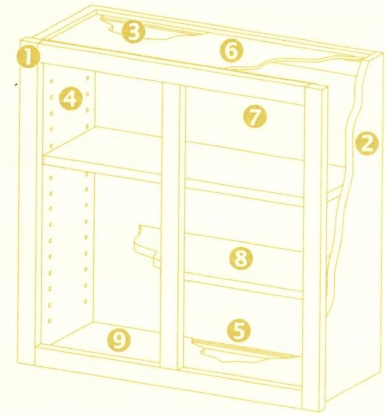


WALL CABINETS

- 1 Solid Wood Face Frame
1 3/4" x 3/4" doweled,
glued and stapled;
Center stile is 3 1/2" x 3/4"
solid wood
- 2 Particleboard End Panels 1/2"
with natural birch
laminated interior and
matching woodgrain
lamine exterior
- 3 Hanging Rail 1/2"
- 4 Interior
natural birch laminated interior
- 5 Hanging Rails 1/2"

- 6 1/2" Particleboard Top
natural birch laminate interior
- 7 Laminated Hardboard Back
1/8" reinforced with 3" x 1/2"
hanging rails
- 8 Adjustable Shelves
3/4" thick, laminated particleboard
full depth shelves
- 9 1/2" Particleboard Bottom
natural birch laminate interior

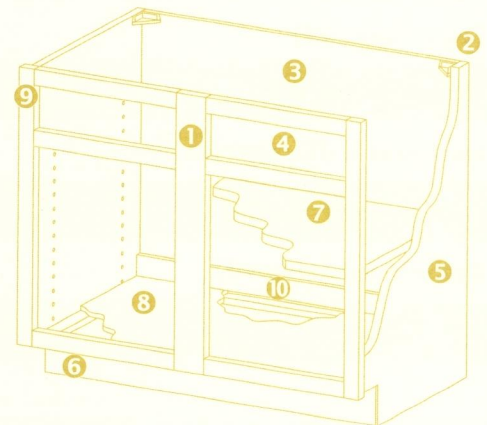
Tops and Bottoms
Dadoed, glued and stapled to end
panels, hanging rails & face frames



BASE CABINETS

- 1 Center Stiles
3 1/2" x 3/4" solid wood
- 2 Wood Corner Braces
- 3 Hanging Rail 1/2"
- 4 Laminated Hardboard Back
1/8" reinforced with 3" x 1/2"
hanging rails
- 5 Particleboard Endpanels 1/2"
with natural birch laminated
interior and matching
woodgrain laminate exterior

- 6 Unfinished Particleboard Toeboard
4 1/2" x 3/4"
- 7 Adjustable Shelves
3/4" thick, laminated
particleboard full-depth shelves
- 8 1/2" Particleboard Bottom
natural birch laminated interior
- 9 Solid Wood Face Frame
1 3/4" x 3/4" doweled,
glued and stapled
- 10 Hanging rail 1/2"



DRAWER

- 1 Solid hardwood Sides
5/8" thick with 1/4" thick
plywood captured bottom
- 2 Dovetail Construction
- 3 Self-Closing Drawer Guides
Undermount full-access
with 100 pound capacity

